

WorkStation OZY

Ophthalmic unit



About Us

Rex + Max = Rexxam

Rexxam, which means 'the king of the kings', is a respected and reliable brand.

Rexxam is a Japanese company with a celebrated 60 year history. With over 3,000 employees worldwide, Rexxam manufacture a wide range of products for various industries; from factory automation, automobiles and air conditioning systems, to beer and ski boots.

Since 1986, Rexxam has manufactured various high quality products for leading brands in the eye care industry, including SHIN-NIPPON. Rexxam had developed and manufactured products for SHIN-NIPPON since 1993 and in 2014 the company took over the SHIN-NIPPON brand.

We will be bringing high quality ophthalmic equipment to a global market. By combining precision engineering with industry leading innovation and experience in mass production, Rexxam produce unique products to support eye care specialists across the world.

Quality in vision care, we are Rexxam.



1960

Foundation of Rexxam

1986

Rexxam started the development and manufacturing of ophthalmic devices as an OEM supplier

1993

Rexxam became the main OEM partner for SHIN-NIPPON

SHIN-NIPPON

2014

Rexxam acquired the SHIN-NIPPON brand

SHIN-NIPPON by **Rexxam**

2018

The manufacturer brand Rexxam was inaugurated

Rexxam

Rexxam

Quality in vision care

Proudly  Made in Japan

Rexxam WorkStation OZY

Rexxam is introducing Our State-of-the-Art Ophthalmic Unit: Rexxam WorkStation OZY which can accommodate two instruments on a sliding rotatable tabletop. Embark on a new era of innovation, precision and comfort in eye care with our latest addition - the cutting-edge Ophthalmic Unit WorkStation OZY.

Meticulously crafted to enhance the diagnostic and examination capabilities of our esteemed opticians and optometrists, this advanced ophthalmic unit is set to redefine the standards of patient comfort, operability and flexibility in eye-care.



WorkStation OZY



Technological Brilliance

The Rexxam WorkStation OZY developed by our team of experts, to perfectly complement to Rexxam products not only in design and colours but also by enhance the usability. Beyond functionality, the unit is strongly built by craftsmanship. The Rexxam WorkStation OZY seamlessly integrates with our Rexxam instrument overall design aesthetic, harmonizing with the colour palette and layout. This attention to detail ensures that your experience is not only technologically advanced but also visually pleasing.

Rexxam believes in personalized care that extends to the physical comfort of patients. The design of our WorkStation OZY is not just visually appealing but also geared towards ensuring a comfortable and stress-free experience during the eye examinations. For this reason there are various models of ophthalmic chairs available such as fixed upholstery, 40 degree reclinable upholstery and even a 180 degree flat upholstery, in various colours.

Adaptable Design for Every Practice.

The Rexam WorkStation OZY is engineered with your comfort and convenience in mind. Whether you're accustomed to a right-hand or left-hand orientation, our versatile design ensures that your preferred ergonomic setup is readily available. The identical components in both orientations guarantee a consistent and reliable performance, eliminating the need for adjustment or reacquaintance when transitioning from Right Hand to Left Hand or Vice Versa in the future. Your Ophthalmic Unit, your way, without compromise.



Right Hand setup



Left Hand setup

**Solid
&
Practical**

- Small footprint
- Balance or electrical refractor arm
- Optional electric elevated tabletop
 - Optional electro-break for adjustable positioning tabletop
- Dimming room light
 - Dimming LED reading light
- Integrated cable management
 - Storage space for refractor Power Supply
 - Storage space for Slit lamp Power Supply
 - Smooth movement of rotation and sliding tabletop
 - Easy accessible multifunctional control panel
 - Scratch resisting PVC materials
 - Safety stopper

Intuitive control panel

The intuitive multifunctional control panel conveniently placed on top of the instrument tabletop, controls various functions, such as room light, reading light, chair elevation, tabletop elevation, chart projector power, electrical refractor arm, electro break and auxiliary connections. Slit lamps of various brands which do not have their own illumination regulator or even their own power supply can be connected to and controlled by OZY control panel



Room illumination

The square designed room illumination provides indirect room light and is dimmable in 4 steps starting from high-intensity illumination or starting from low-intensity illumination.



LED Reading light

The flexible LED reading light provides a white homogenous illumination to perform near test examinations, and is dimmable in 4 steps starting from high-intensity illumination or starting from low-intensity illumination.



Safety stopper

The safety-stop underneath the tabletop guarantees patients safety when elevating patient chair or lowering instrument tabletop.



Storage space

For a neat cable-free installation, the base of the WorkStation provides storage space for the Rexxam DR-900 phoropter Power Supply as well as the Power Supply of Rexxam Slit lamps. On top of the base there is a convenient provision where the patient can safely store their glasses during examination.



Chart Projector support

The chart projector support allows installation and adjusting of a chart projector.



Trial Lens Drawer

The Rexam WorkStation can be fitted with the optional Trial Lens Drawer. The Trial Lens Drawer accommodates the Rexam TL-34P and the Rexam TL-35M trial lens sets and has the following inner dimensions; 535mm(W) x 365mm(D) x 55mm(H)



Cable management

The Rexam WorkStation OZY is provided with cable management support. On instrument position 2 on the table-top there is an easy transit to (optional) pre-installed power cable, RS-232C cable, USB cable and LAN Cat 6 cable.



Monitor support

Enhance your ophthalmic unit with our VESA-compatible monitor support. This adjustable mount ensures optimal monitor positioning for practitioners during examinations, viewing slit lamp imaging with our Rexam DCS-700 imaging software.



In a world where space is at a premium, the WorkStation OZY stands out as a game-changer. One of the key features that sets the WorkStation OZY apart is the possibility to use the unit without the installation of the Trial Lens Drawer. By streamlining this component, we have successfully reduced the overall size of the unit without compromising on functionality, and it frees up valuable space in your practice at the same time.

Motorised Tabletop

The Rexam WorkStation can be utilised with a fixed tabletop, but also with a tabletop which can be electrical elevated by using the multifunctional control panel. The total range of elevation is 140mm, as the lowest tabletop position is 825mm and the highest position is 965mm.



Manual Balanced Refractor arm

The counter spring balanced refractor arm ensures easy positioning of the refractor. The grip handle provides maneuvering without having to touch the refractor.



Motorised Refractor arm

The motorised refractor arm is operated by the multifunctional control panel, and provides a smooth automated movement of the refractor.

Electro-magnetic Brake

The Rexam WorkStation can be optional equipped with a tabletop rotation Electro-magnetic brake. With this Electro-magnetic brake the tabletop can be locked in any position of your Choice, making the work distance to the patient flexible.

Chinrest Support

A Chinrest Support is available for installations of two instruments sharing the same Chinrest when sliding the tabletop from position one to position two.

Fixed Upholstery **



CS-FB Black



CS-FA Anthracite



CS-FR Burgundy Red

40° Reclining Upholstery **



CS-RB/RA/RR

180° Fully Reclining Upholstery



CS-FRB/FRA/FRR *



All WorkStation Chairs are able to rotate 360° freely for easy access

* CS-FRB/FRA/FRR is not compatible with OZY Wheelchair configuration

** Footrest is optional



Foldable armrests



Foldable Footrest (optional)

Chair seat height range

Fixed & 40° upholstery

Minimum 480mm
Maximum 720mm
Stroke 240mm

180° upholstery

Minimum 430mm
Maximum 670mm
Stroke 240mm

Workstation OZY - Wheelchair Accessible Configuration

The Workstation OZY is also available in a wheelchair accessible configuration, designed to offer maximum flexibility and comfort. This configuration features a separate chair-baseplate on wheels equipped with brakes for easy mobility and a main baseplate with counterweights that ensures rock-solid stability during examination. The chair(*) can be fully relocated to create ample space for a wheelchair, providing effortless access. For added convenience, the (optional) motorized tabletop allows for elevation to any desired height, ensuring optimal examination of every patient. Whether it's a right-hand or left-hand setup, the same components can be used, offering adaptable installation options. This new wheelchair version of the Workstation OZY makes it one of the most versatile ophthalmic units on the market, ensuring accessibility and comfort for all users.

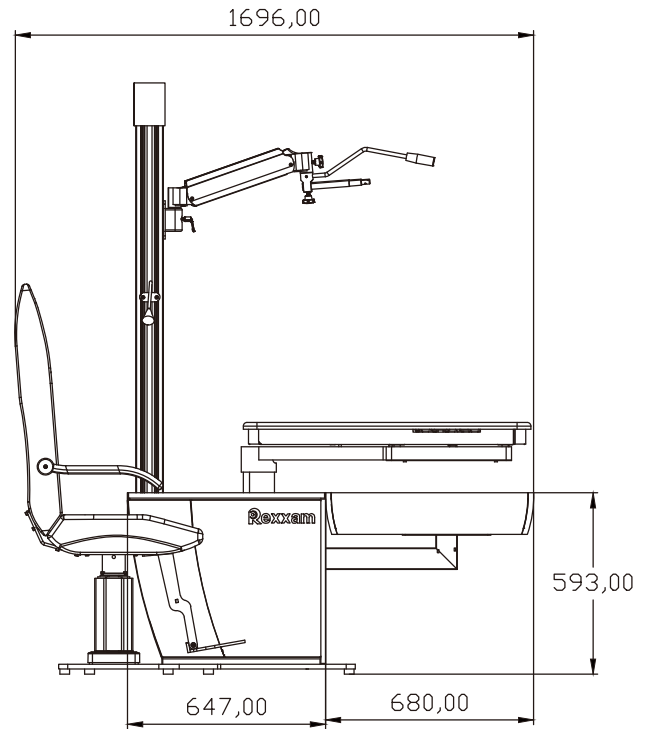
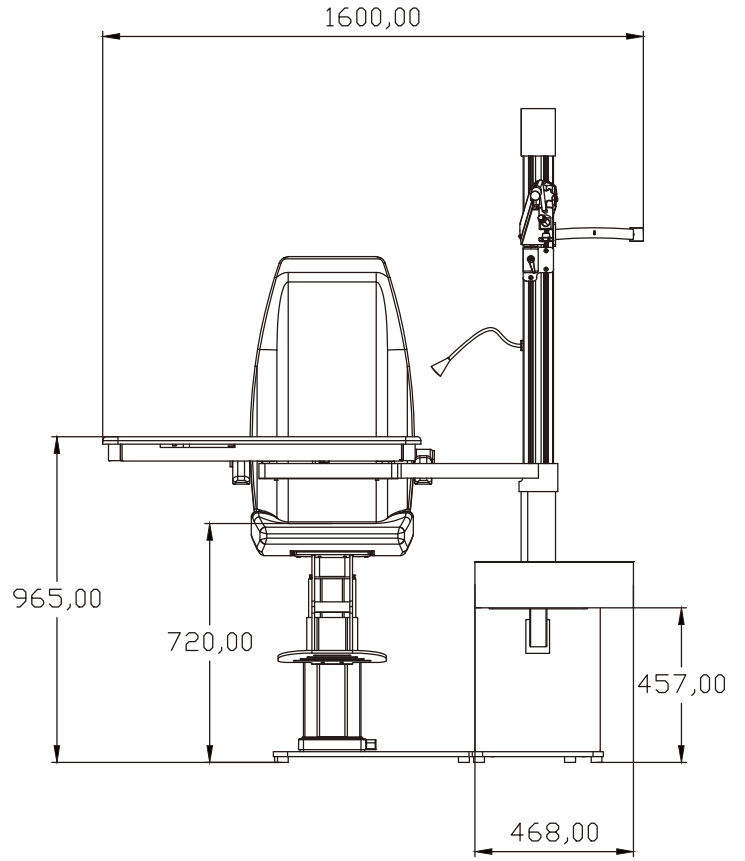
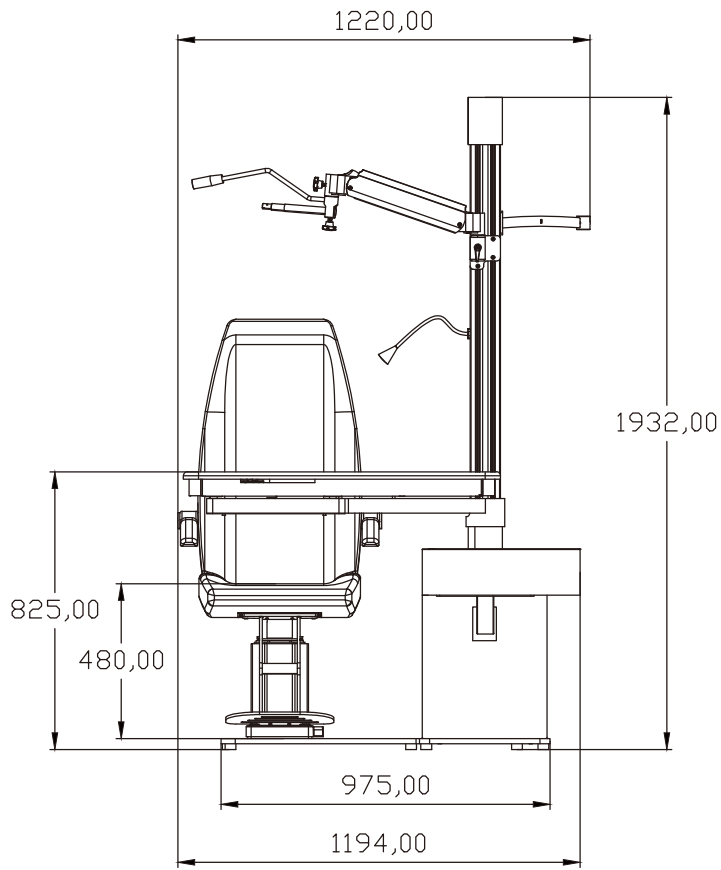


Separate movable base plate for chair

Wheelchair accessible OZY!



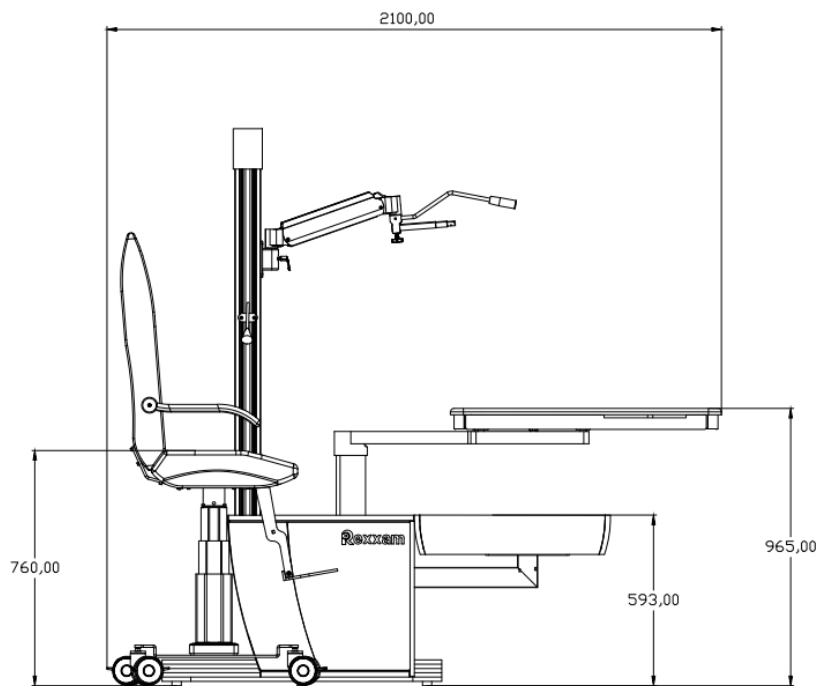
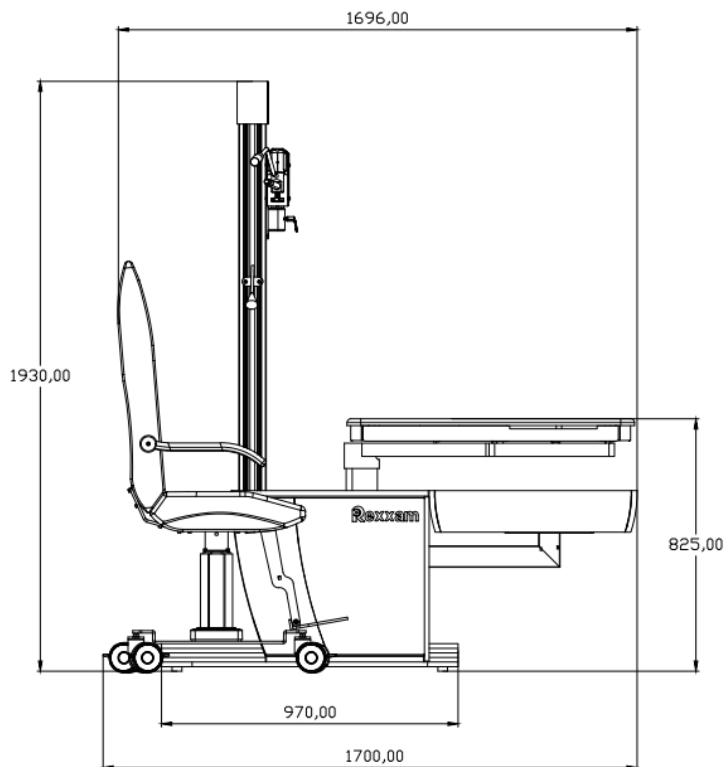
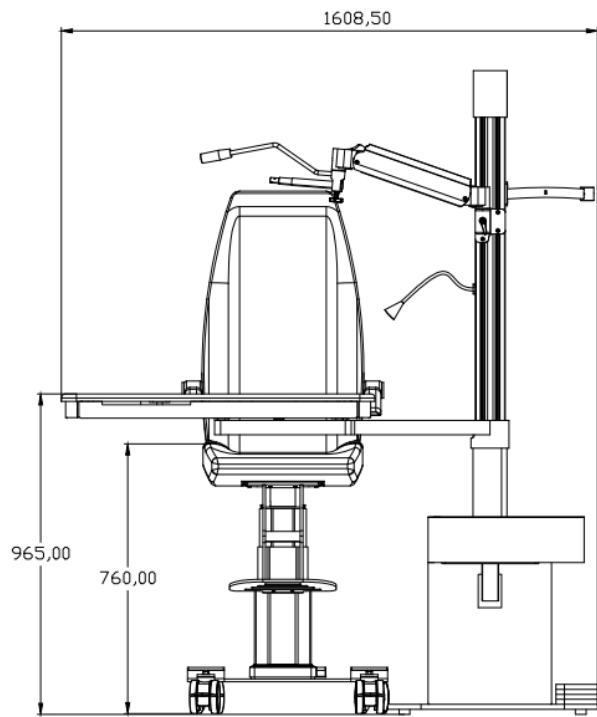
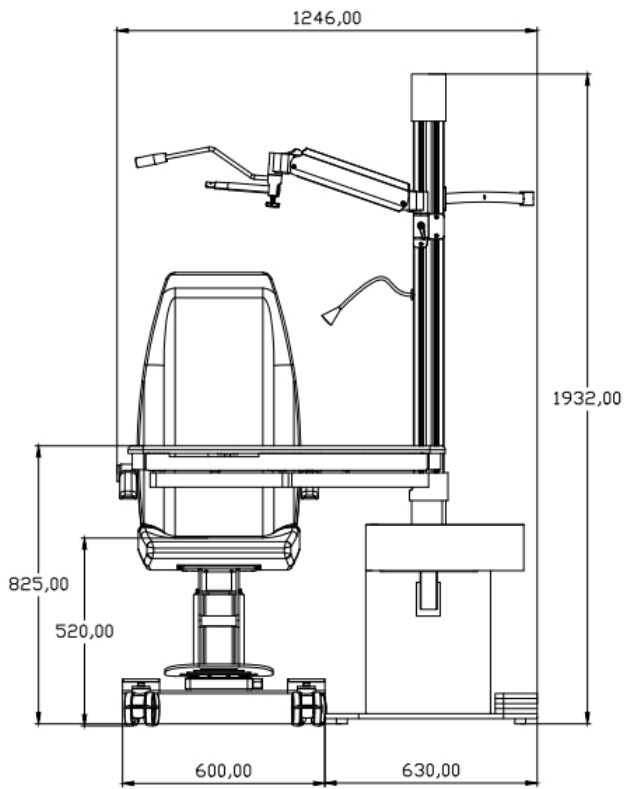
*CS-FRB/FRA/FRR is not compatible with OZY Wheelchair configuration.



Refractor controller support console



Technical Dimensions Wheelchair configuration





WorkStation OZY

Colour	Off White with Gun Metal	
Tabletop	Sliding and rotatable, suitable for 2 instruments	
Maximum load on tabletop	50Kg (25Kg + 25Kg, per position)	
Power on tabletop	0-24V/5A for Slit lamp 220V for AUX1	
Pre-installed cables on tabletop (Optional)	LAN CAT 6 RS-232C USB-A	
Output for Slit Lamps	5V/6V/12V/18V/24V	
Output Auxilliary	4x 220V on main PCB board	
Power Near vision lamp	12-24V / 4Watt LED Dimmable	
Power Room light	24V/ Max 10Watt LED Dimmable	
Safety	Safetystopper under tabletop	
Electro magnetic break (optional)	90 degrees, variable lock position	
Minimum installation dimensions	1600mm (W) x 1696mm (D)	
Internal dimensions Trial lens drawer	535mm (W) x 365mm (D) x 55mm (H)	
Tabletop Height	Motorised (optional)	825mm - 965mm
	Fixed	825mm
Tabletop Stroke	140mm	
Net weight of OZY	standard configuration	Min 220Kg / Max 252Kg
	wheelchair configuration	Min 285Kg / Max 317Kg
Power consumption	110-240 v AC / 50-60 Hz.	
Capacity / Consumption	Max 1100 VA	
Electrical Protection class	IP-21	
Electrical classification	Class 1, Type B	

Ophthalmic Chair

	CS-F	CS-R	CS-FR
Reclining upholstery	Fixed	40°	180°
Colors	Black - Anthracite - Burgundy Red		
Armrest	foldable 90 degree up		
Seat Rotation	360 degrees with manual lock		
Seat Height	480mm - 720mm	480mm - 720mm	430mm - 670mm
Seat Stroke	240mm		
Max load capacity	1800N/180Kg	1800N/180Kg	1800N/180Kg
Net weight	20.5Kg	20.5Kg	16Kg
Power consumption	DC24V-Max.5.3A		
Capacity / Consumption	Max 127 VA		
Footrest (foldable)	Optional	Optional	Leg support

Refractor Arm

	Counter Balance Refractor Arm	Electrical Refractor Arm
Load Capacity	3,7Kg to 7Kg (adjustable)	1Kg to 5Kg
Stroke of refractor arm	+43° down / -15° up	-
Net weight	6.5Kg	12Kg
position lock	Counter Balance spring	Electrical

Refractor Controller Support Console

Dimensions	380mm (W) x 340mm (D) x 705mm (H)
Net weight	8.5Kg

Design and specifications are subject to change without prior notice.

Manufacturer

Mabel Makina Medikal
sanayi ve ticaret A.Ş.
Ostim OSB Mah. 1220.Cadde No:35
Ostim Yenimahalle Ankara
06374 Turkey

Contact



Rexxam Co.,Ltd.
Eye-care Instruments Sales Dept. Tokyo Office
2-4-2 Kandatsukasa-machi, Chiyoda-ku, Tokyo,
101-0048 Japan
TEL:+81-3-6262-9471 FAX:+81-3-6262-9472
E-mail:eye@rexxam.co.jp
Website:https://www.rexxam.co.jp

Distributed by

Proudly Made in Japan

